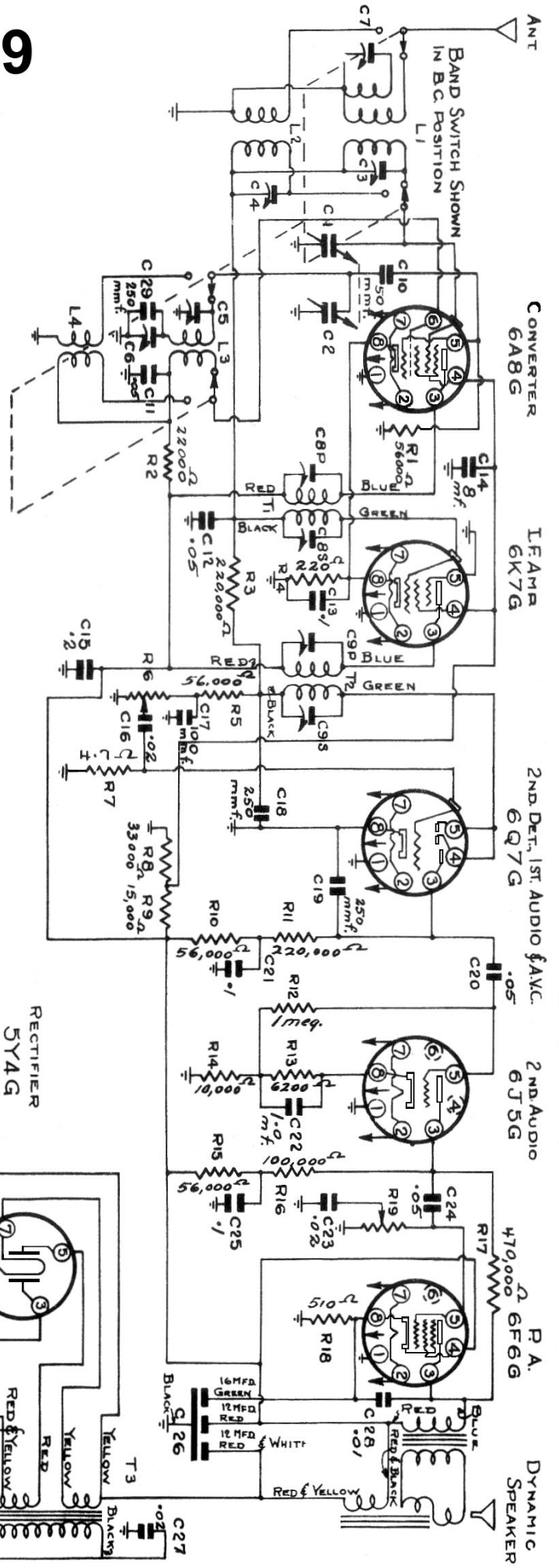
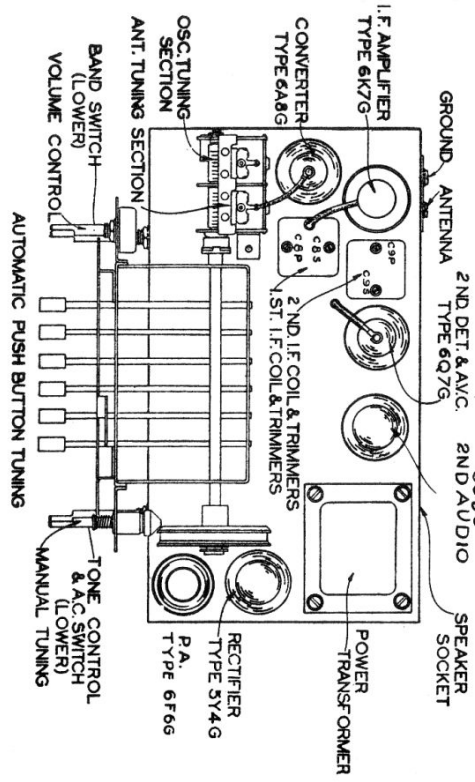
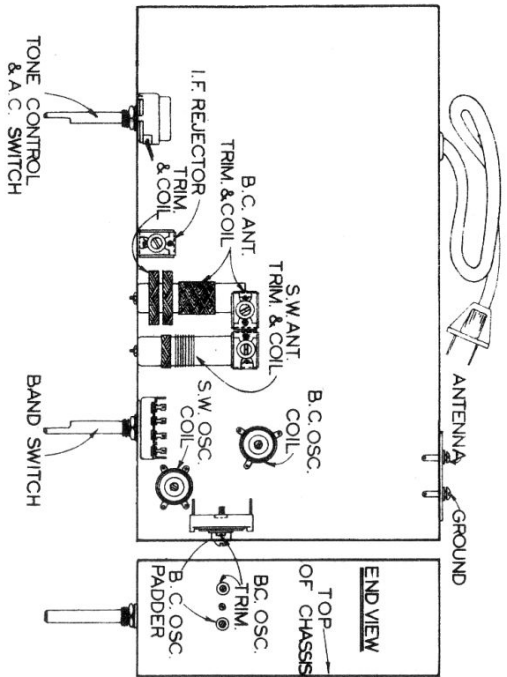


# Sparton Model 69 A.C. Receiver



# Sparton 69 Alignment Data

## **I.F. ALIGNMENT—**

With the service oscillator set at 456 K.C. and the oscillator lead connected to the 6A8G grid cap, adjust trimmers C8p, C8s, C9p, C9s for maximum output. The selector should be turned out or opened while making these adjustments.

## **I.F. REJECTOR—**

With the service oscillator set at 456 K.C. and its output lead attached to the aerial of the chassis, adjust trimmer C7 for minimum output. Caution—Make sure the chassis is not tuned to a harmonic of 456.

## **R.F. ALIGNMENT—**

### **1. B.C. OSCILLATOR TRIMMER**

With the service oscillator tuned to 1500 K.C., adjust trimmer C5 until signal is tuned in, when dial is set at 1500.

### **2. B.C. ANTENNA TRIMMER**

With service oscillator set at 1500 K.C., adjust C3 for maximum output.

### **3. B.C. OSCILLATOR PADDER**

Tune the set to 600 K.C., feed a 600 K.C. signal into the antenna and adjust trimmer C6 for maximum output. Recheck B.C. antenna trimmer as in 2 above.

### **4. S.W. ANTENNAE TRIMMER**

Feed a 15 M.C. signal into the antenna and with the dial turned to 15 on the S.W. band adjust C4 until maximum output is obtained while the selector knob is being rocked.

**Note:** Be sure the set is not trimmed to the image frequency. It should be trimmed to the lower frequency of the two signals.