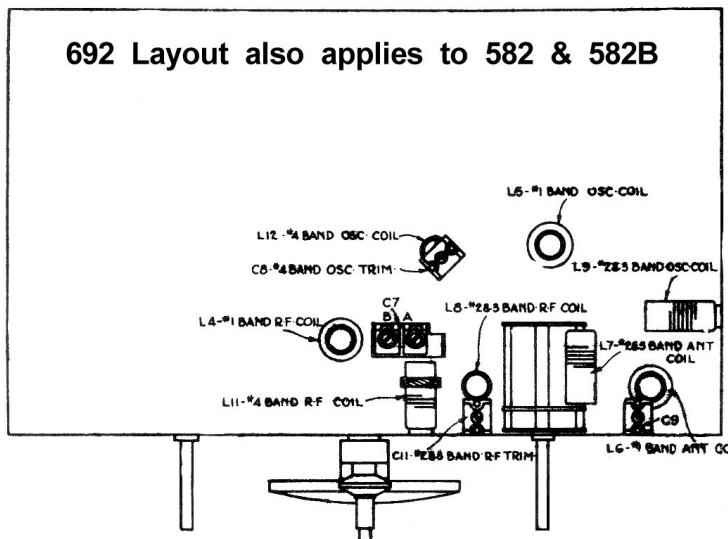
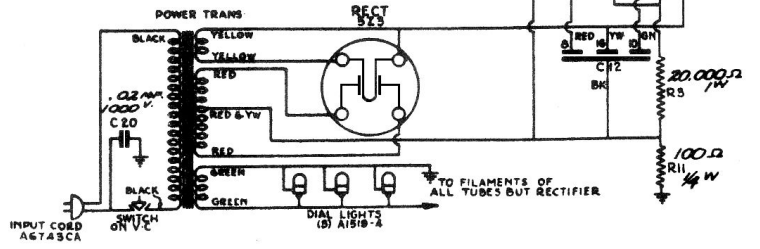
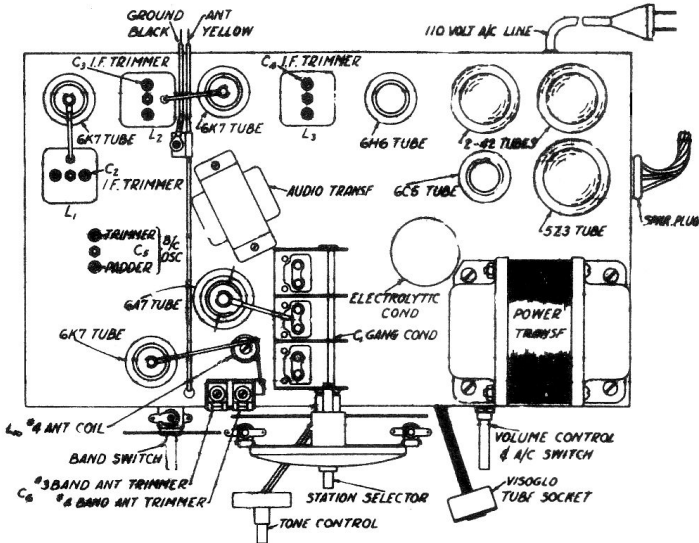
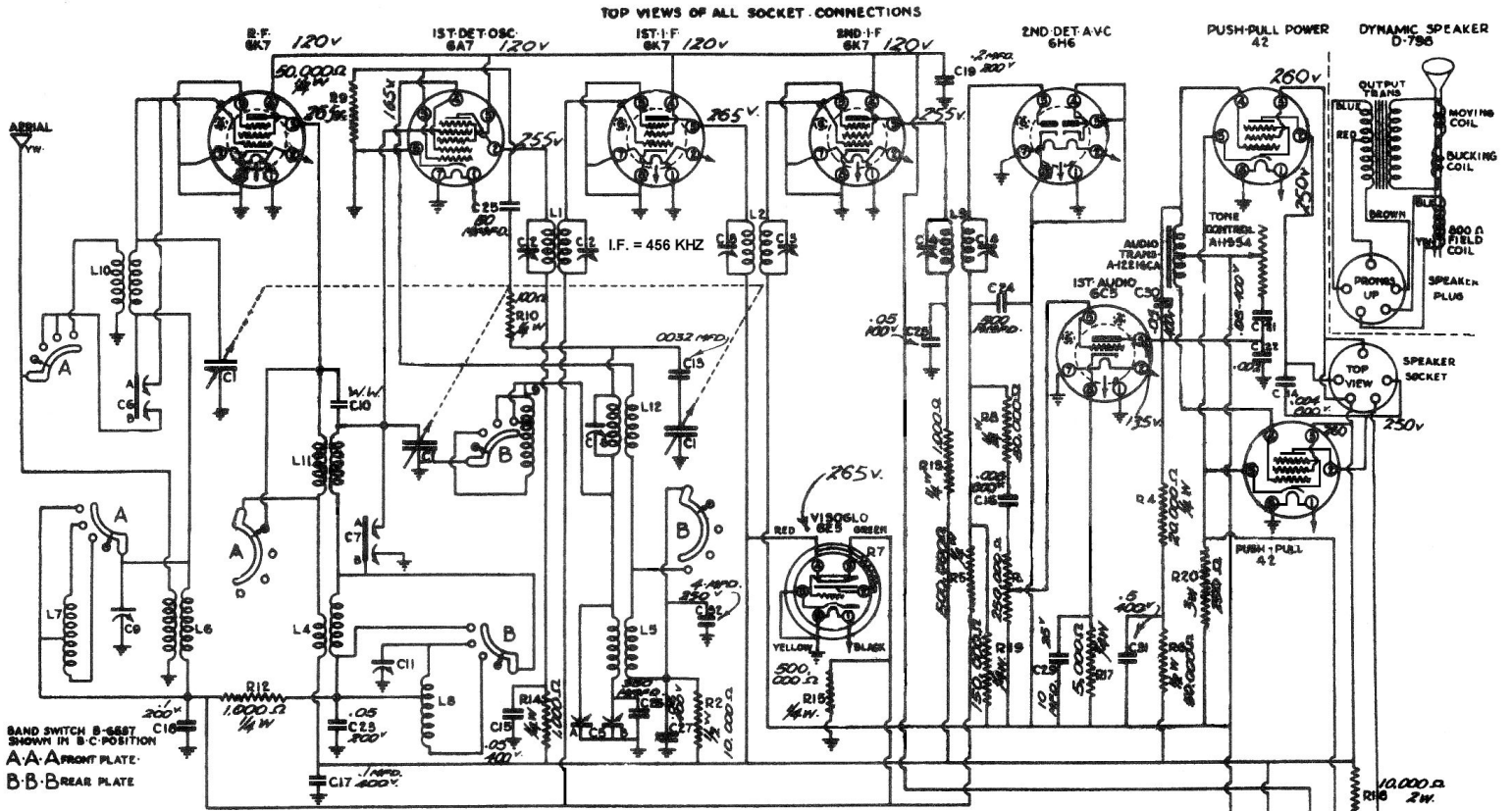


# Sparton Model 692 A.C. Receiver



# Sparton Model 692 Alignment

## ALIGNMENT INSTRUCTIONS

**NOTE**—Before commencing alignment make sure that the dial is set so that with the selector plates in flush, the pointer points to the last division on the dial

### 1. INTERMEDIATE FREQUENCY AMPLIFIER

Set service oscillator at 456 K. C. and with test lead attached to the 6A7 (converter tube) grid cap, adjust trimmers C2, C3 and C4 for maximum reading on the output meter.

### 2. BROADCAST BAND ALIGNMENT—(No. 1 Band)

(a) **OSCILLATOR TRIMMER**—Set service oscillator at 1500 K. C. and connect test lead to yellow antenna lead, adjust trimmer C5A until with signal tuned in dial points to 150 on the black scale.

(b) **OSCILLATOR PADDER**—Set service oscillator at 600 K. C. and adjust padder C5B so that with signal tuned in dial points to 60 on black scale; recheck at 1500 as in "a" above.

(c) **R. F. TRIMMERS**—With service oscillator set at 1500 K. C. and set tuned to that frequency, adjust trimmers C9, C7B for maximum reading on the output meter.

### 3. SHORT WAVE ALIGNMENT.

**NUMBER 3 S. W. BAND (BLUE)**—(No. 4 Band)—Set service oscillator at 15000 K. C. and adjust trimmer C8 until with signal tuned in dial points to 15 on the blue band. R. F. adjust r. f. trimmers C7A, C6B for maximum output.

**NUMBER 2 S. W. BAND (RED)**—(No. 3 Band)—Set service oscillator at 6000 K. C. and adjust trimmers C11, C6A for greatest output.

**NUMBER 1 S. W. BAND (GREEN)**—(No. 2 Band)—No adjustments are required on this band.

**WARNING**—Do not bend selector plates, this destroys selector alignment.

**CAUTION**—With the oscillator set at 15000 two signals can be heard in the receiver, one at 15000 K. C. and the other at 14088 K. C.; do not mistake the latter signal for the former. In aligning the receiver at 15000 K. C. the signal of higher frequency is the correct one and the set should be adjusted to it. This secondary image is noticeable on all short wave bands and appears at a place lower in frequency than the desired signal by twice the I. F. frequency.