

Model 554-PD

Universal AC-DC Superheterodyne Radio Receiver



Specifications

Frequency Range:

Standard Bdct: 535 to 1525 K.C.
Short Wave: 5.8 M.C. to 15.2 M.C.

I.F.:

470 K.C.

Tubes:

Type	Position
12SA7	Converter
12SK7	I.F. Amplifier
12SQ7	2nd Det. AVC and 1st Audio
36L6GT	Power Output
35Z5GT	Rectifier

Power Supply:

110-125 volts, 25-60 cycle.
110-120 volts D.C.
Consumption: 30 watts.

A.V.C.:

On 12SK7 I.F. and 12SA7 Converter.

Controls:

Three; Left-hand knob, volume control and rotary power switch. Right-hand knob, tuning control. Centre switch is wave change switch, short-wave left and standard broadcast right.

Power Output:

1.5 watts.

Loudspeaker:

4" E.D.

Dial:

Square metaloid plate. Double end pointer. Scale directly illuminated. Top portion of scale is standard broadcast and lower portion is short wave.

Cabinet:

Miniature type, wood, fabricoid covering, ivory finish with carrying handle.

Audio System:

Audio portion of 12SQ7 resistance capacitance coupled to 35L6GT power output.

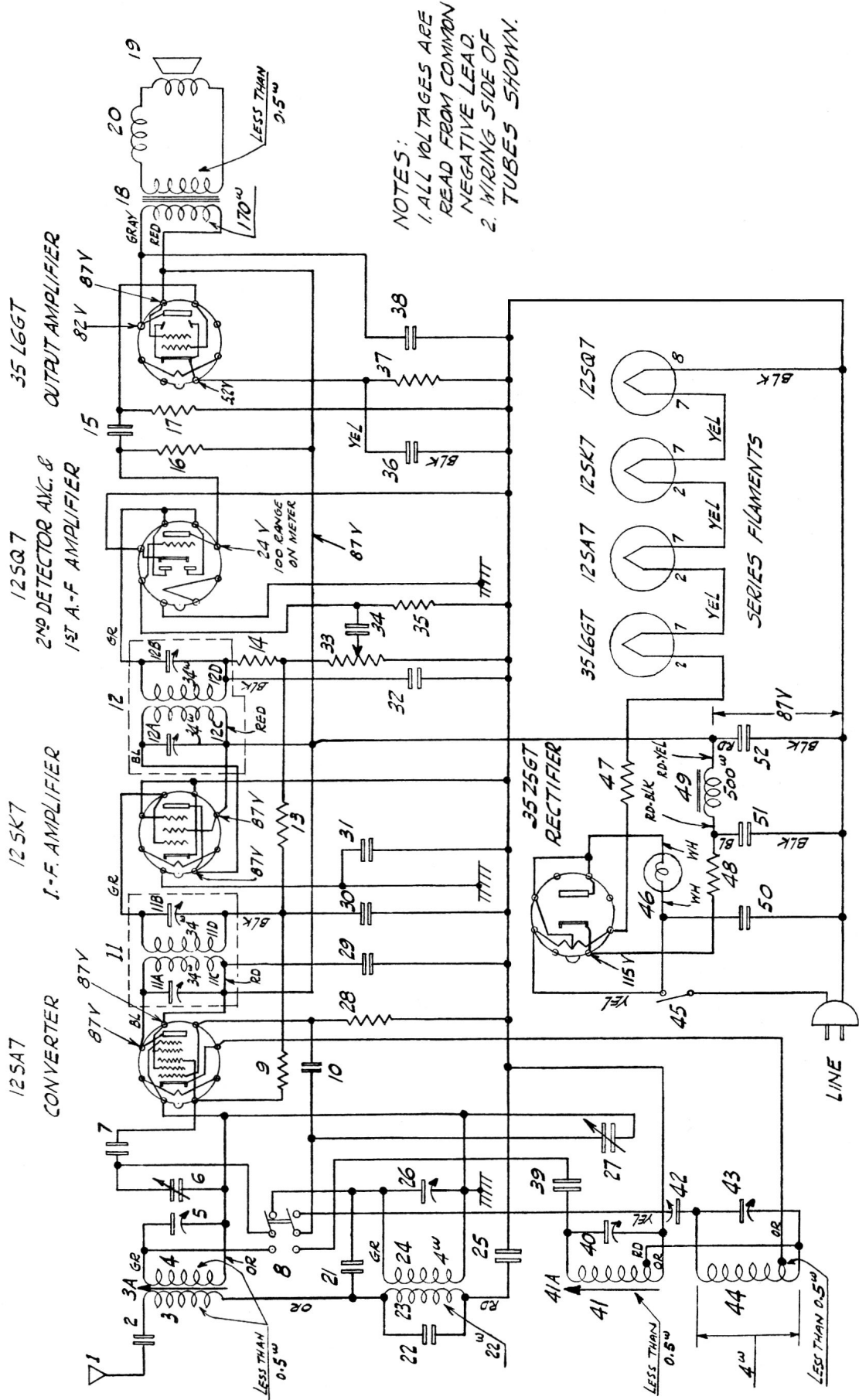
Antenna:

25' insulated wire permanently connected.

Dimensions:

Chassis: Length 9", breadth 4 $\frac{1}{4}$ ",
depth 1-15/32"
Cabinet: Length 10 $\frac{1}{8}$ ", height 6 $\frac{3}{4}$ " and
depth 5".

MODEL 554-PD RADIO RECEIVER



SCHEMATIC DIAGRAM MODEL 554 AC-DC

REPLACEMENT PARTS LIST

Item	Description	Part No.	Item	Description	Part No.
1	Antenna Wire (25' #23 flex. brown)	K-5047	31	Capacitor: .25 mf. 200 volt.	K-2227-10
2	Capacitor: .007 mf. 400 volt.	K-2228-13	32	Capacitor: mica; 400 mmf.	K-1611-24
3	S.W. Ant. Trans. Primary	K-5537	33	Volume Control (with Sw.) (.5 meg)	K-4991-2
3A	S.W. Ant. Trans. Core		34	Capacitor: .01 mf. 200 volt.	K-2227-6
4	S.W. Ant. Trans. Secondary		35	Resistor: 10 meg. 1/2 Watt.	K-2226-74
5	S.W. Ant. Sect. Trimmer 3-25 mmf.	K-1458-6	36	Capacitor: 20 mf. 25 volt; Part of.	K-5438-2
6	Ant. Sect. Tuning Gang, Part of.	K-5524-1	37	Resistor: 220 ohms, 1/2 Watt.	K-2252-38
7	Capacitor, mica: 1000 mmf.	K-1611-23	38	Capacitor: .02 mf. 200 volt.	K-2227-7
8	Band Switch D.P.D.T.	K-4029-2	39	Capacitor, mica 4000 mmf.	K-1952-14
9	Resistor: 1 meg. 1/2 Watt.	K-2226-2	40	S.W. Osc. Trimmer 16-72 mmf.	K-1458-8
10	Capacitor, mica; 50 mmf.	K-1611-1	41	S.W. Oscillator Coil.	K-5538
11	1st I-F trans. assy. complete.	K-5510	41A	S.W. Oscillator Coil Core: Pt. of.	K-5538
11A	} 1st I-F trimmers.	K-5688	42	Oscillator lag. cap. 300-625 mmf.	K-3860-8
11B				43	B.C. Osc. Trimmer 3-25 mmf.
11C	} 1st I-F coil only.	K-5511	44	B.C. Oscillator Coil.	K-5536
11D				45	On-Off Switch, Part of.
12	2nd I-F trans. assy. complete.	K-5512	46	Dial Lamp (6.3 V. 250 ma.)	K-2589-3
12A	} 2nd I-F trimmers	K-5688	47	Resistor: 60 ohm, 2 Watt.	K-4990-14
12B				48	Resistor: 35 ohms, 1/2 Watt.
12C	} 2nd I-F Coil only.	K-5513	49	Loudspeaker field, 500 ohm; Pt. of.	K-5002-2
12D				50	Capacitor: .03 mf. 400 volt.
13	Resistor: 2 meg. 1/2 Watt.	K-2226-1	51	Capacitor: 40 mf. 150 volt; Pt. of.	K-5438-2
14	Resistor: 50,000 ohms, 1/2 Watt.	K-2226-6	52	Capacitor: 40 mf. 150 volt; Pt. of.	K-5438-2
15	Capacitor: .01 mf. 200 volt.	K-2227-6	MISCELLANEOUS		
16	Resistor: .25 meg. 1/2 Watt.	K-2226-4		Cabinet Back Cover.	K-5522-2
17	Resistor: .5 meg. 1/2 Watt.	K-2226-3		Sockets (Octal base, small size)	K-4944
18	Output transformer	K-5008-3		Dial Scale.	K-5508
19	Loudspeaker Assembly.	K-5002-2		Dial Indicator.	K-5509
20	Hum Coil (Not replaceable; part of K-5002-2)			Dial Spring.	K-3687-2
21	Capacity, 5 mmf. (extra turn of pri. wound over sec. of K-5535)			Dial Cord (12'') (order by feet).	K-4636
22	Capacitor, mica: 100 mmf.	K-1611-2		Dial Cover (cellulose)	K-5518-3
23	B.C. Antenna trans. primary	K-5535		Drive Shaft.	K-4489-8
24	B.C. Antenna trans. Secondary				Lamp Socket.
25	Capacitor: .007 mf. 400 volt.	K-2228-13		Antenna Spool.	K-5046
26	B.C. Ant. Trimmer 1.5-10 mmf.	K-1458-5		Knob.	K-5822-2
27	Oscillator Sect. Tuning gang, Part of.	K-5524-1		Stand Off (2 terminals)	K-1683-1
28	Resistor 20,000 ohms, 1/2 Watt	K-2226-8		Stand Off (3 terminals)	K-2348
29	Capacitor: .1 mf. 200 volt.	K-2227-9		Escutcheon (switch)	K-5521-1
30	Capacitor: .05 mf. 200 volt.	K-2227-8			

REALIGNING DETAILS

I.F.:

With .1 mf. capacitor in signal generator lead, set frequency to 470 K.C. Connect to 12SA7 converter grid, adjust trimmers, items 11A, 11B, 12A and 12B. (Ground lead of generator should be connected to common negative lead).

R.F.:

(B.C.) Connect high signal generator lead through 100 mmf. capacitor to antenna lead. (Connect to lead on chassis side of coil of ant. wire). Set dial and frequency to 1400 K.C. Align B.C. oscillator trimmer, item 43 (trimmer on free end of B.C. oscillator coil under chassis). Align antenna trimmer, item 26 (on top of B.C. antenna coil—the rear coil above chassis), rocking the tuning gang while doing so. Set

generator and receiver to 600 K.C., align oscillator lag, item 42 (on fixed end of B.C. oscillator coil under chassis) rocking the gang while doing so. Recheck at 1400 K.C.

R.F.:

(S.W.) With 400-ohm carbon resistor in generator lead, set generator and receiver to 15 m.c. and adjust oscillator trimmer, item 40, (mounted on free end of S.W. oscillator coil under chassis). Rock the gang and adjust antenna trimmer, item 5 (on top of S.W. antenna coil at front of set above chassis). Set generator and receiver to 6 M.C., adjust oscillator iron core, item 41A. Adjust antenna iron core, item 3A, rocking the gang. Recheck at 15.0 M.C.