

CLAIRTONE SOUND CORPORATION LIMITED
Toronto New York Chicago Los Angeles

SB-3-4A

ADDITION OF A.G.C.

MODELS:

S 253	S 303	S 373	S 383
S 393	S 403	S 503	S 553
S 603	ST803	ST853	

The addition of A.G.C. to the FM section of 1963 models will help to reduce the localized problems described below:

- 1.) It will reduce the possibility of overload in localities with high signal levels.
- 2.) It will reduce the annoying effects of SCA interference in localities near FM stations transmitting this type of signal.
- 3.) It will reduce high frequency distortion evident on music containing a high content of upper frequencies.

Since these problems are localized Clairtone cannot assume any responsibility for making this modification at the factory service department. There is no service allowance to dealers making this modification in the field.

- continued -

C 403 CHASSIS

PARTS REQUIRED:

- 1 - 10 MEG $\frac{1}{2}$ watt resistor
- 1 - 680K $\frac{1}{2}$ watt resistor
- 1 - 390K $\frac{1}{2}$ watt resistor
- 1 - .02 MFD. disc capacitor
- 1 - 10 $\frac{1}{2}$ inch piece of hook up wire
- 1 - 5 inch piece of hook up wire
- 1 - 3 $\frac{1}{2}$ inch piece of hook up wire

- 1.) Remove the ground connection from LUG 3 of the I.F. terminal strip on the FM tuner. (Fig. 3).
- 2.) Connect a 3 $\frac{1}{2}$ inch piece of hook up wire between the ungrounded connection on the I.F. terminal strip and LUG 2 of the AFC terminal strip. (Fig. 1 and 3).
- 3.) Connect a parallel network of the 390K resistor and .02 MFD capacitor between LUG 2 and LUG 4 (ground) of the AFC terminal strip. (Fig. 1).
- 4.) Connect one end of the 10 MEG and 680K resistor to LUG 2 of the FM terminal strip. (Fig. 1).
- 5.) Connect the free end of the 680K resistor to LUG 5 of the FM terminal strip. (Fig. 1).
- 6.) Connect the free end of the 10 MEG resistor to LUG 3 of the amplifier terminal strip. (Fig. 1).
- 7.) Connect a 10 $\frac{1}{2}$ inch piece of hook up wire from LUG 5 of the FM terminal strip to LUG 2 of the AFC terminal strip. (Fig. 1).
- 8.) Connect a 5 inch piece of hook up wire between LUG 3 of the amplifier terminal strip and LUG 3 of the second I.F. (Fig. 1).

- continued -

C 303 CHASSIS

PARTS REQUIRED:

- 1 - 10 MEG $\frac{1}{2}$ watt resistor
- 1 - 680K $\frac{1}{2}$ watt resistor
- 1 - 390K $\frac{1}{2}$ watt resistor
- 1 - .02 MFD disc capacitor
- 2 - 5 inch pieces of hook up wire

- 1.) Remove the ground connection from LUG 3 of the I.F. terminal strip on the FM tuner. (Fig. 3).
- 2.) Connect a 5 inch piece of hook up wire between the ungrounded connection on the I.F. terminal strip of the FM tuner and LUG 1 of the FM terminal strip. (Fig. 2 and 3).
- 3.) Connect a parallel network of the 390K resistor and .02 MFD capacitor between LUG 1 and LUG 4 (ground) of the FM terminal strip.
- 4.) Connect one end of the 10 MEG and 680K resistor to PIN 2 of the 6AL5 ratio detector tube.
- 5.) Connect the free end of the 680K resistor to LUG 1 of the FM terminal strip. (Fig. 2).
- 6.) Connect the free end of the 10 MEG resistor to LUG 6 of the FM terminal strip.
- 7.) Connect a 5 inch piece of hook up wire between LUG 6 of the FM terminal strip and LUG 3 of the second I.F. (Fig. 2)

FIGURE 1 C-403

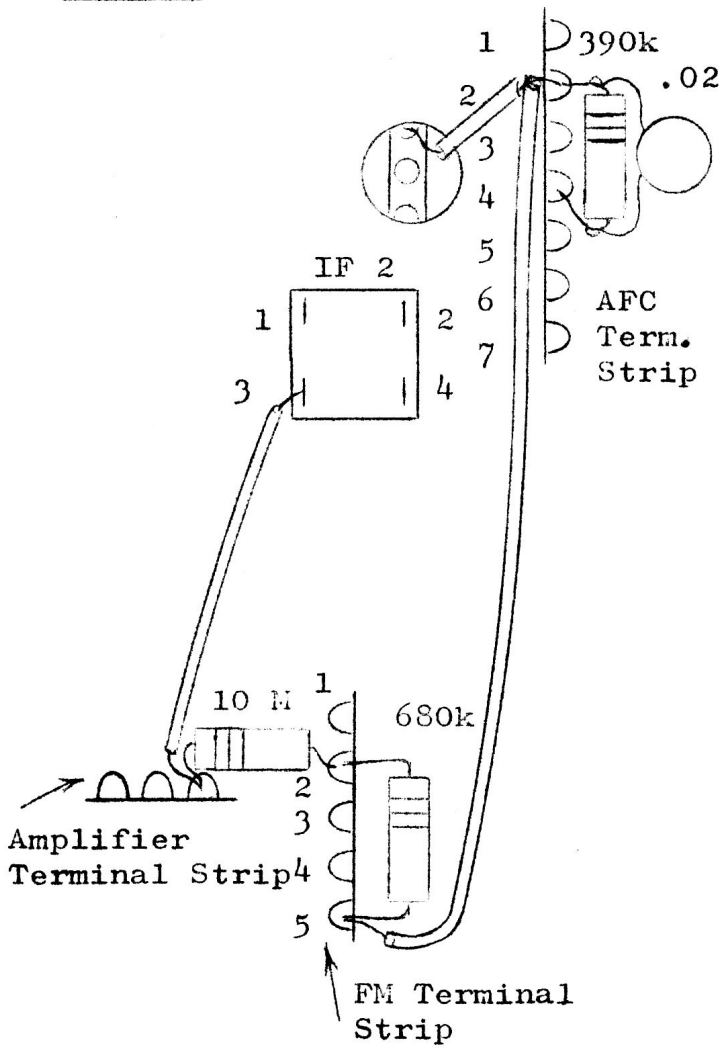


FIGURE 2 C-303

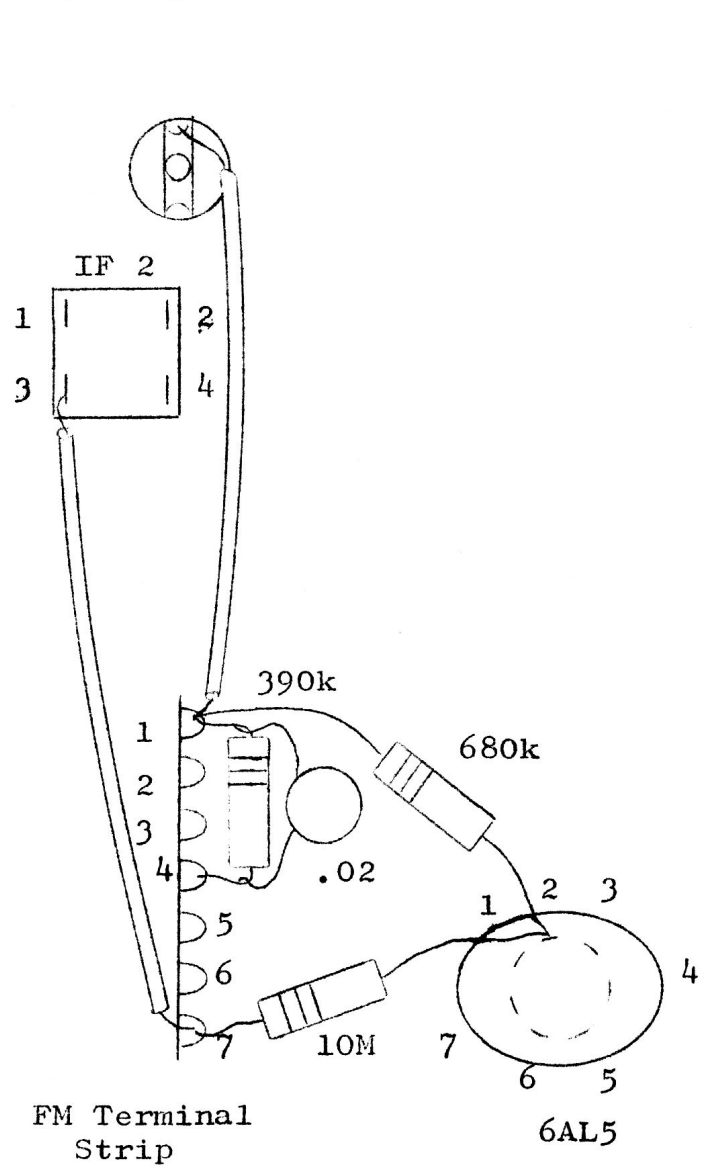
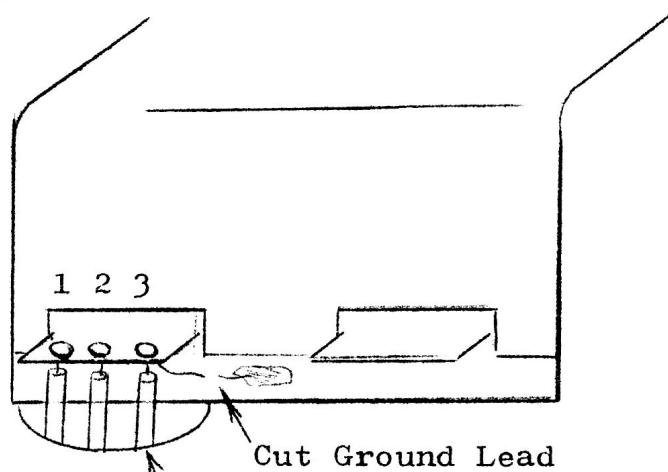


FIGURE 3 Left Hand View of FM Tuner



Lead from Lug 2 of AFC terminal strip on C-403 and from lug 1 of FM terminal strip on C-303