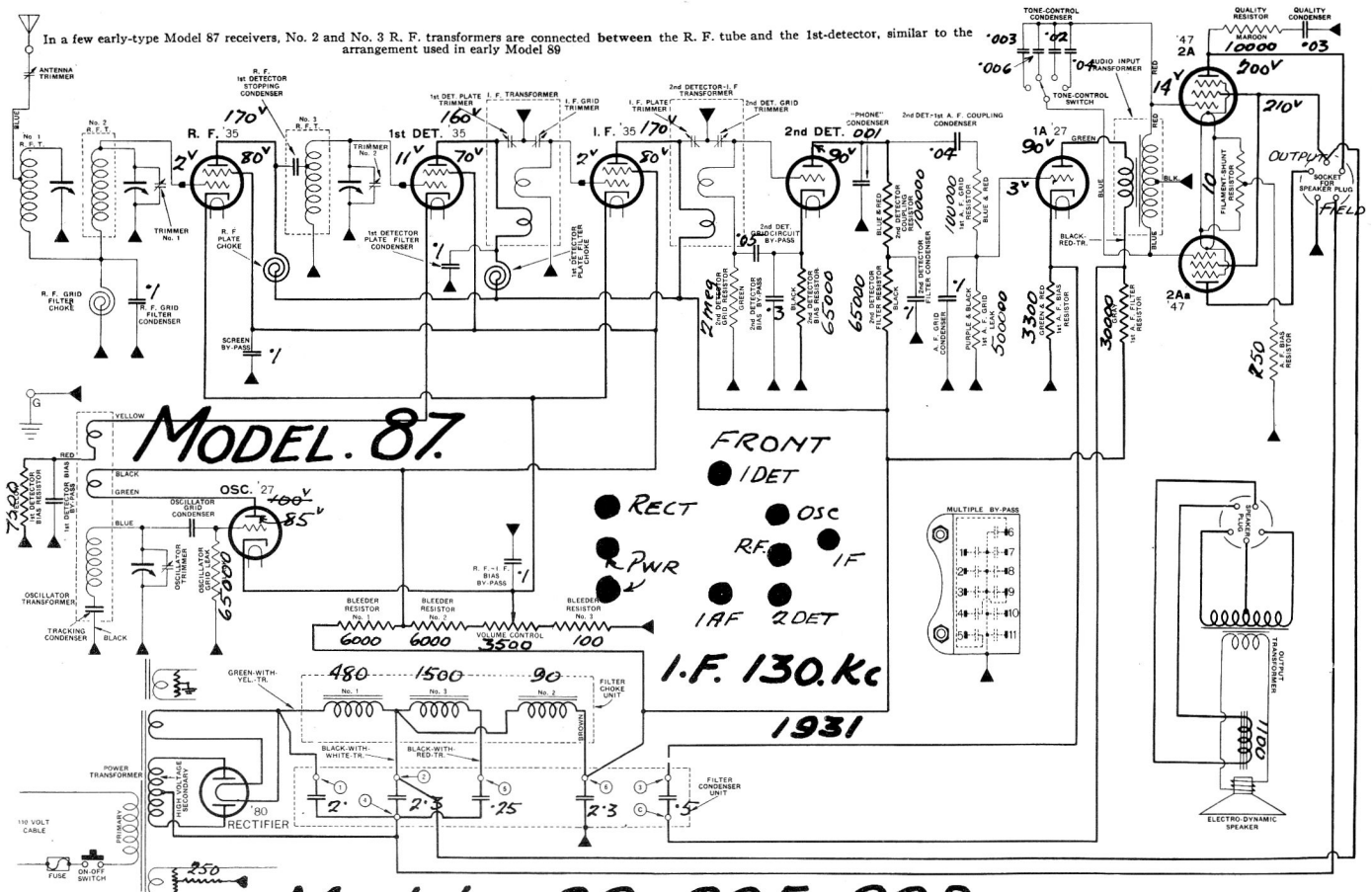
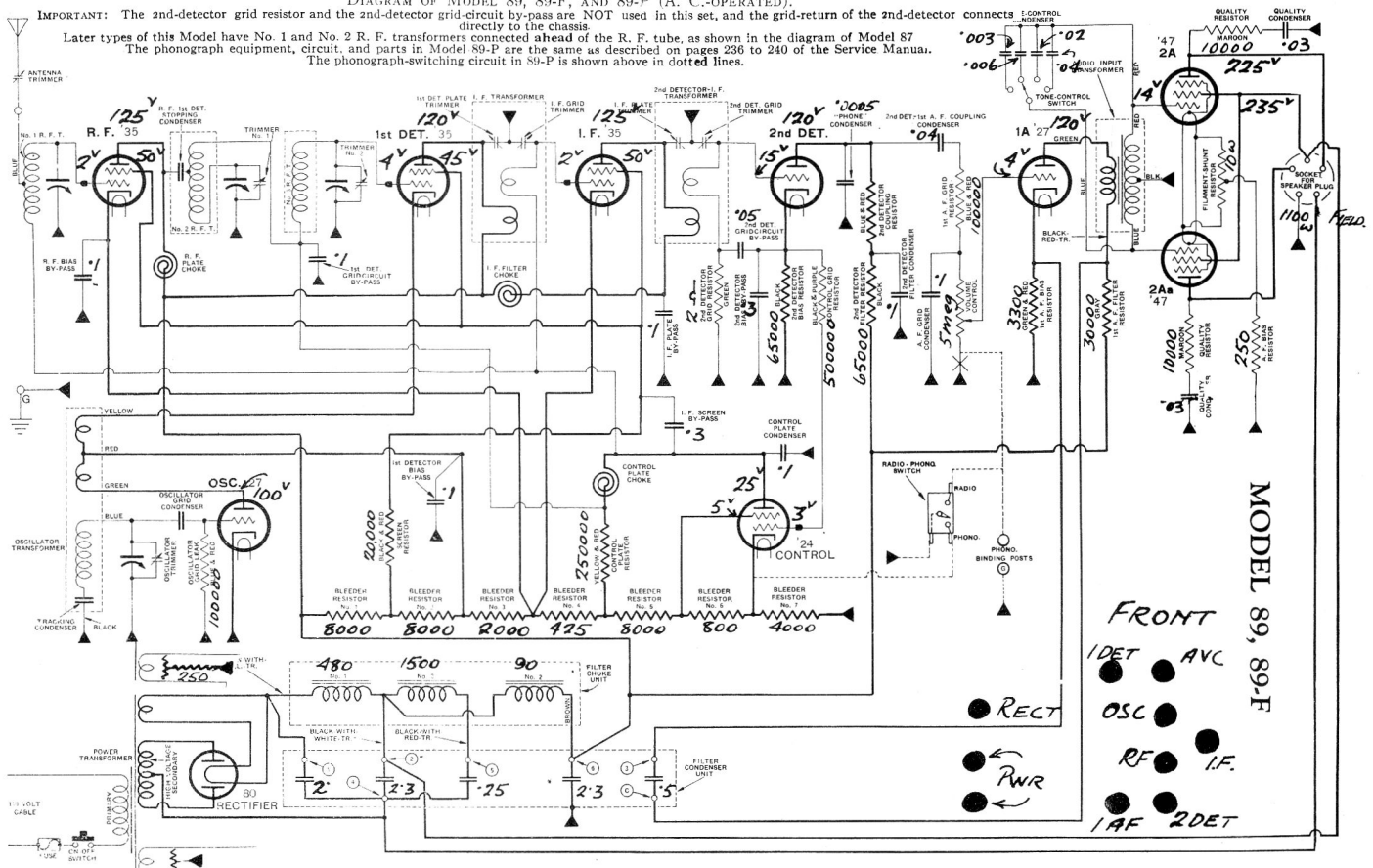


In a few early-type Model 87 receivers, No. 2 and No. 3 R. F. transformers are connected between the R. F. tube and the 1st-detector, similar to the arrangement used in early Model 89



Below Models 89-89F-89P 1931 IF 130 Kc

IMPORTANT: The 2nd-detector grid resistor and the 2nd-detector grid-circuit by-pass are NOT used in this set, and the grid-return of the 2nd-detector connects directly to the chassis.
 Later types of this Model have No. 1 and No. 2 R. F. transformers connected ahead of the R. F. tube, as shown in the diagram of Model 87. The phonograph equipment, circuit, and parts in Model 89-P are the same as described on pages 236 to 240 of the Service Manual. The phonograph-switching circuit in 89-P is shown above in dotted lines.



PRINTED IN CANADA

COURTESY

DATA SHEET

ATWATER-KENT-13

MFG. CO. LTD.