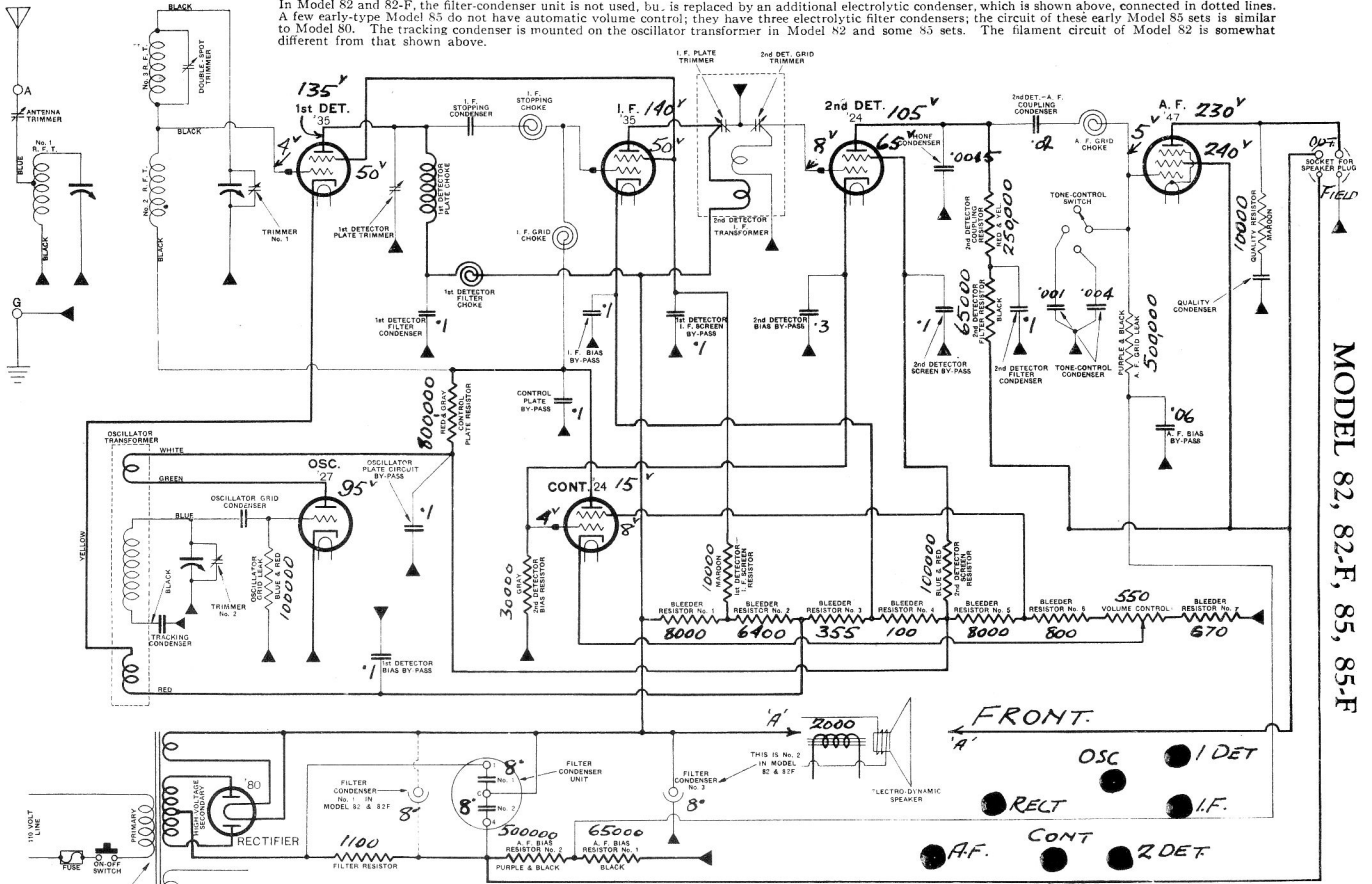


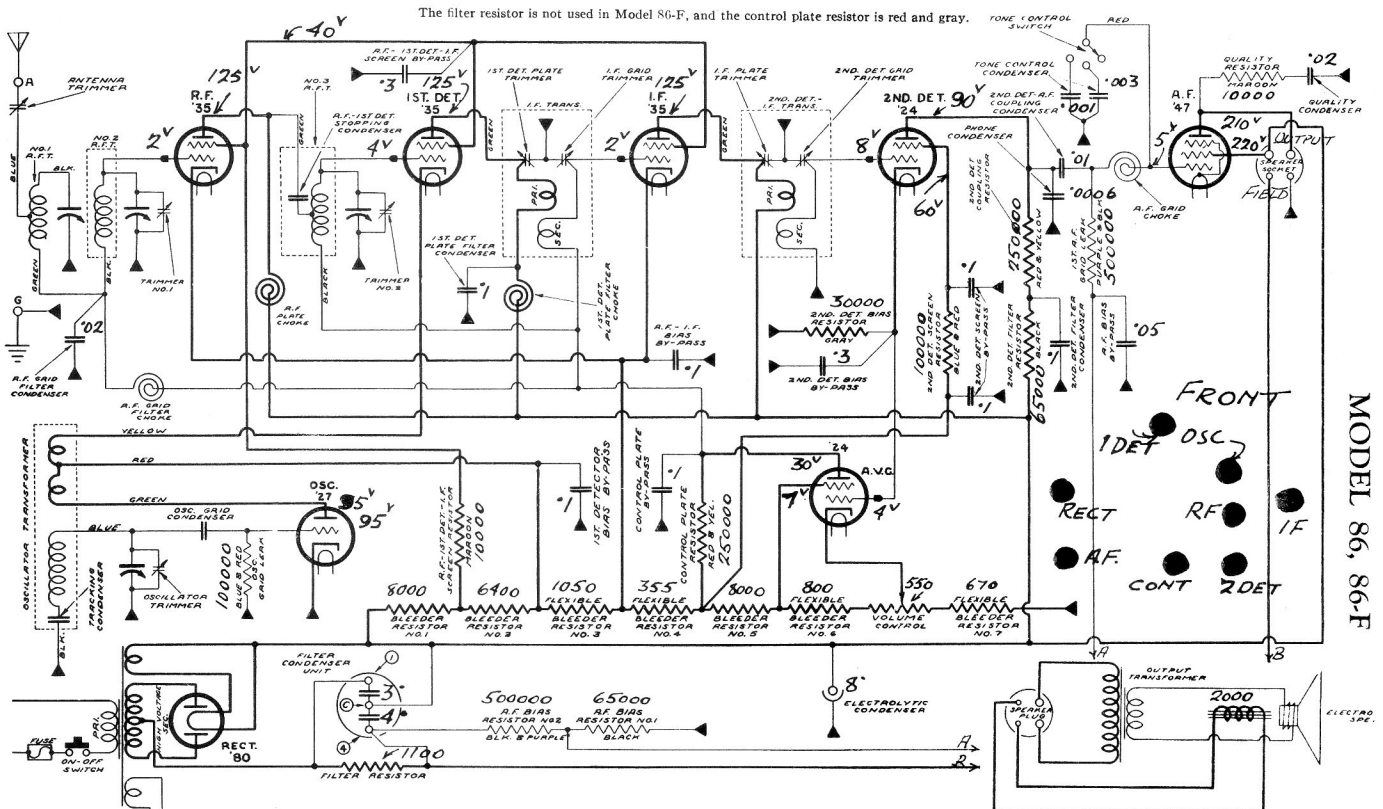
Models 82-82F-85-85F 1931 1.F 130 Kc

In Model 82 and 82-F, the filter-condenser unit is not used, but is replaced by an additional electrolytic condenser, which is shown above, connected in dotted lines. A few early-type Model 85 do not have automatic volume control; the circuit of these early Model 85 sets is similar to Model 80. The tracking condenser is mounted on the oscillator transformer in Model 82 and some 85 sets. The filament circuit of Model 82 is somewhat different from that shown above.



Below. Models 86-86F 1931 1.F 130 Kc

The filter resistor is not used in Model 86-F, and the control plate resistor is red and gray.



PRINTED IN CANADA

COURTESY

DATA SHEET

ATWATER-KENT-12

MFG. CO. LTD.